



TridentBoost™

Submittal

JOB DETAILS

JOB: _____ REPRESENTATIVE: _____

ENGINEER: _____ CONTRACTOR: _____

PRODUCT DATA

MODEL NO. VMS 20VR ITEM NO. _____ RPM 3600 HORSEPOWER _____
 VOLTAGE _____ SCCR 100K MOCB _____ MCA _____
 PUMP/MOTOR _____ SYSTEM TYPE Duplex SPLIT _____ WEIGHT _____
 FLANGE ANSI Class 150 BacNet YES NO BREAK TANK _____ BOOST PRESSURE _____
 TOTAL SYSTEM FLOW _____ MIN SUCTION PRESSURE _____ MAX SUCTION PRESSURE _____
 TOTAL SYSTEM PRESSURE _____ MAX PACKAGE PRESSURE RATINGS _____

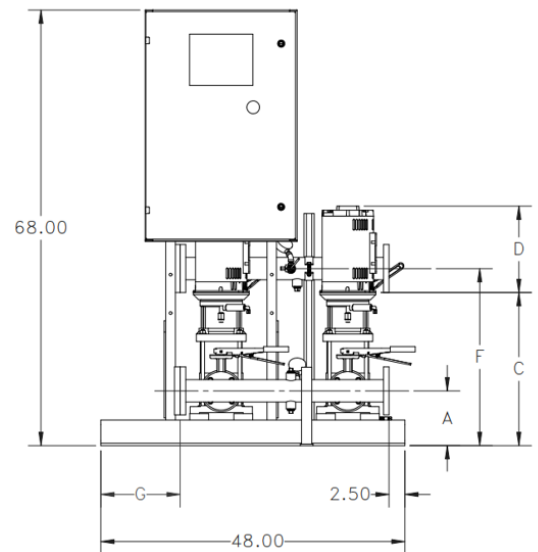
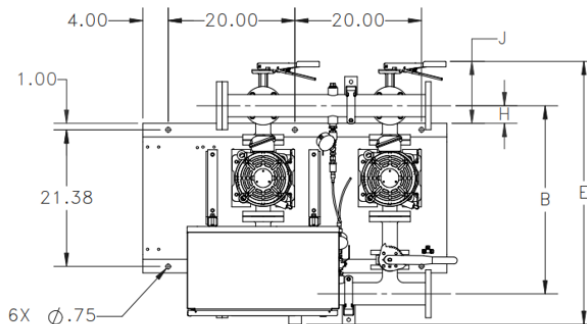
DIMENSIONS

PUMP MODEL	20VR			
HORSEPOWER (kw)	10 (7.5)		15 (11)	
MOTOR FRAME ODP	213TC		215TC	
MAX. WEIGHT LBS (KG)	1293 (587)	1325 (601)	1403 (637)	1435 (651)
FLANGE SIZE ASA	3	4	3	4
A	8.30 (211)			
B	28.34 (720)	29.08 (739)	28.34 (720)	29.08 (739)
C	26.39 (670)		28.28 (718)	
D	14.44 (367)		14.44 (367)	
E	41.64 (1058)	41.64 (1058)	41.66 (1058)	41.66 (1058)
F	30.21 (767)	30.95 (786)	30.21 (767)	30.95 (786)
G	12.51 (318)	12.51 (318)	12.51 (318)	12.51 (318)
H	3.63 (92)	3.63 (92)	3.63 (92)	3.63 (92)
J	11.07 (281)	11.07 (281)	11.07 (281)	11.07 (281)



Meets ASHRAE 90.1 Qualification
 *In accordance with ANSI Standard B16.1 Class 150
 NSF/ANSI/CAN 61 CERTIFIED

MODEL TYPE	MAX PACKAGE PRESSURE RATINGS
20VR04	250
20VR05	250





Submittal

VERTICAL MULTI-STAGE PUMP MATERIALS OF CONSTRUCTION

CASING	COVER	IMPELLER	SHAFT	INTERMEDIARY SLEEVE	MECHANICAL SEAL
Stainless Steel AISI 316	Stainless Steel AISI 316	Stainless Steel AISI 316	Stainless Steel AISI 316	Tungsten Carbide WC	Graphite/SIC EPDM

NSF/ANSI/CAN 61 CERTIFIED

Pump Model	# Units	Voltage Level HP	208		240		460		575	
			MOCP	MCA	MOCP	MCA	MOCP)	MCA	MOCP	MCA
20VR-04	2	10	90A	64.1 A	90A	64.1 A	50A	36.6 A	35A	27.5A
20VR-05	2	15	175A	127.1 A	175A	127.1 A	100A	70.1A	N/A	N/A

COMMENTS